

## Specifications

Electrical Ratings	100mA @ 30VDC	Insulation Resistance	>100MΩ min
Electrical Life	20,000 cycles typical	Operating Temperature	-20°C to 70°C
Contact Resistance	<50mΩ initial @ 2-4VDC, 100mA	Storage Temperature	-40°C to 85°C
Dielectric Strength	1250Vrms min		

## Materials

Actuator	POM, UL94-HB
Housing	PBT, UL94-HB
Terminal Base	6/6 Nylon, UL94-HB
Contacts	Phosphor Bronze, Silver Plated
Terminals	Brass, Silver Plated
Chassis	Steel
Spring	Steel
Latching Pin	Steel

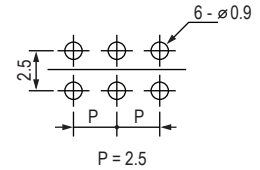
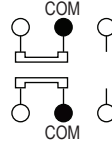
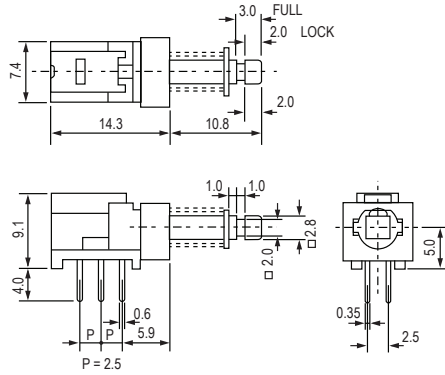
## Ordering Information

1. Series	RPH	2	N	P	C012
RPH					
2. Number of Poles 2 = DPDT 4 = 4PDT 6 = 6PDT					
3. Switch Function N = Non-latching L = Latching					
4. Terminal Options P = PC Terminals S = Snap-In PC Terminals					
5. Mounting Options Blank = No chassis (standard) C = Mounting chassis, single stage Z = PC mounting bracket					
6. Caps	Cap Colors				
Blank = No Cap					
C01	**See Cap Options for color availability				
C02					
C03					
C04					
C05					

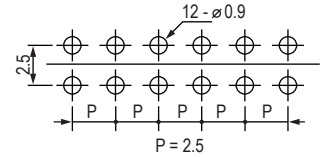
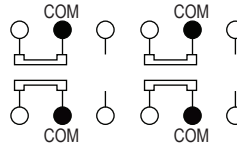
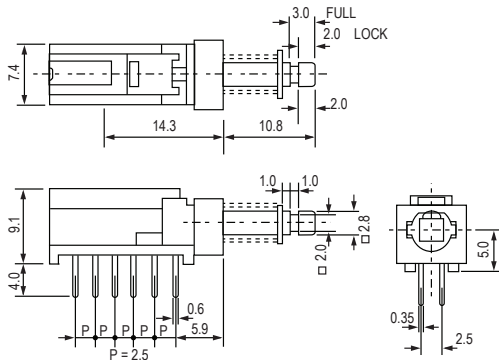
**Dimensions**

**Schematic & PC Layout**

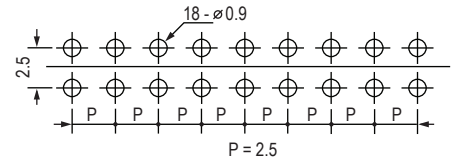
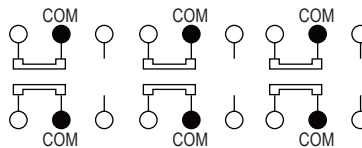
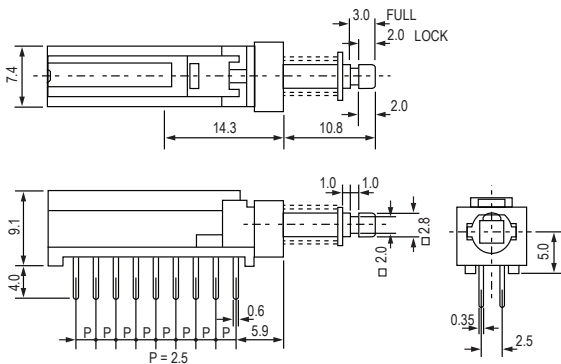
Double Pole Double Throw



4 Pole Double Throw

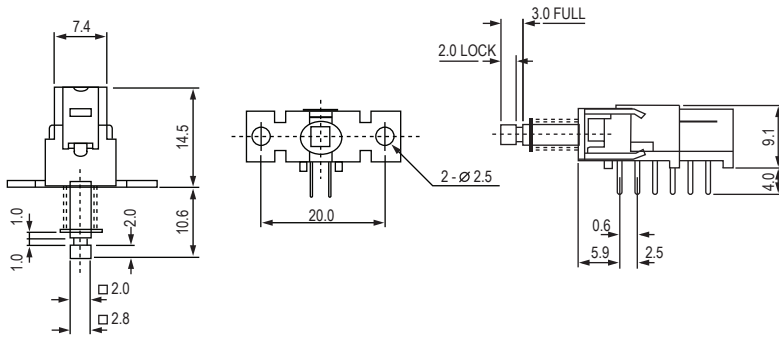


6 Pole Double Throw

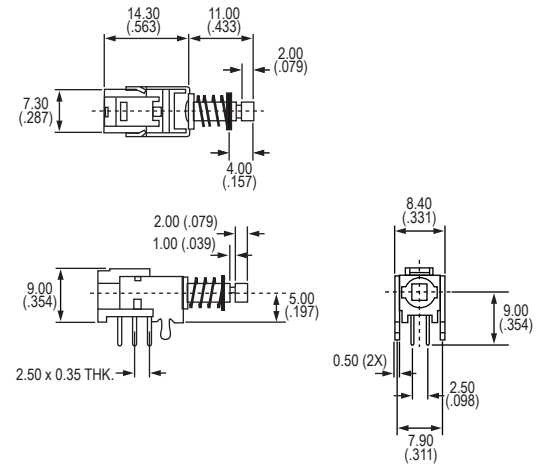


## Mounting Options

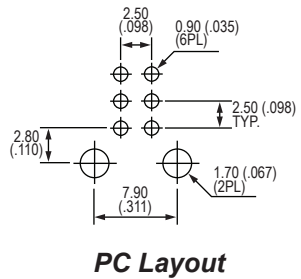
### C, Single Stage Chassis



### Z, PC Mounting Bracket



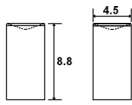
### PC Layout



Miniature Horizontal Pushbutton

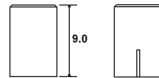
**Cap Options** Contact Factory for other available colors

C01\_



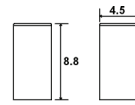
1 = White, 2 = Black  
3 = Red, 9 = Light Gray

C02\_



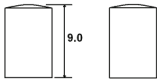
1 = White, 2 = Black  
3 = Red, 9 = Light Gray

C03\_



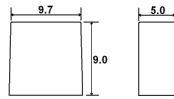
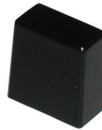
1 = White, 2 = Black  
3 = Red, 9 = Light Gray

C04\_



1 = White, 2 = Black  
3 = Red, 9 = Light Gray

C05\_



1 = White, 2 = Black  
3 = Red, 9 = Light Gray